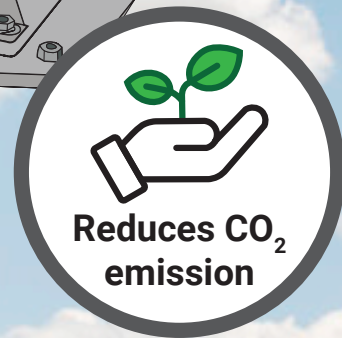
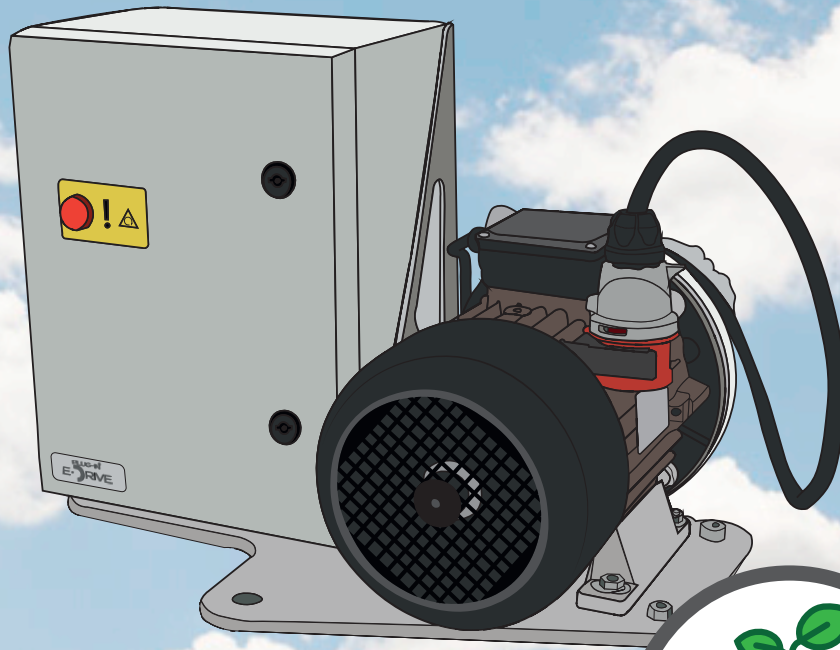
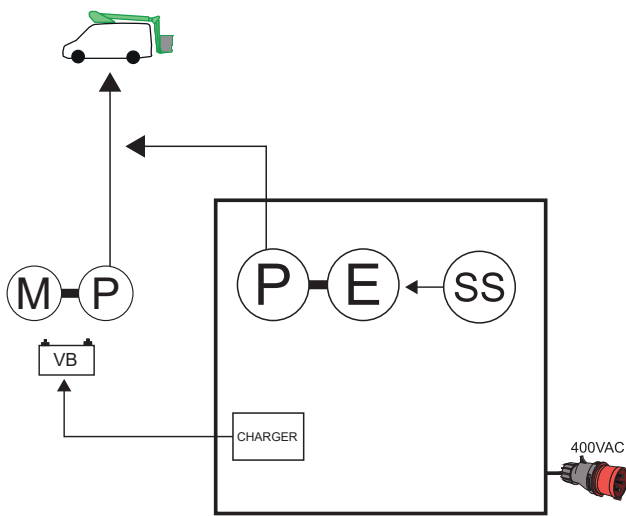


PLUG-IN E-DRIVE

A powerful, electric
plug-in pump unit for your platform





M = Vehicle Motor
P = Hydraulic Pump
VB = Vehicle Batteries
E = Electric Motor
SS = Soft Starter

This flowchart diagram depicts our Plug-In E-Drive® System, which is a plug-in system for our platforms - fully variable and energy-saving.

The electric Plug-In E-Drive® unit is connected to a 400VAC main supply. The motor that drives the hydraulic pump is started via a Soft Starter to reduce the requirements of the fuses. The hydraulic pump is running at a constant speed while the unit is connected.

In the cage, the operator can choose whether to use the Plug-In E-Drive® System or conventional PTO operation via the vehicle motor.

Technical specifications

System size:	400 volt - 5.5 Kw
Supply voltage:	3x400+N+E - 16 Amp - CEE plug
Speed:	Ca. 60% of normal speed
Plug-In E-Drive System includes:	Soft Starter, hydraulic pump, charger
Total weight:	60/50 kg with or without hydraulic / electric coupling

Description

Danilift's **PLUG-IN E-DRIVE®** System is a powerful pump unit that lets you connect your access platform to an external power supply. This means that you can run the platform solely on electricity while the vehicle engine is turned off, which spares the environment of unnecessary CO₂ emission.

If you find yourself in a situation where you need to be able to turn off the vehicle engine, such as inside buildings where the air quality can quickly become affected by exhaust gas, this solution is perfect for you. It is very simple; you just plug it in and you are ready to go.

Our **PLUG-IN E-DRIVE®** System comes either as a detachable component that you can place on the unit as needed, or it can be permanently mounted on the lift. The system can also be adapted to products from other manufacturers, such as Palfinger Platforms.

An environmentally friendly choice!

The images in this literature are of general nature only. Danilift A/S reserves the right to change technical information without notice.